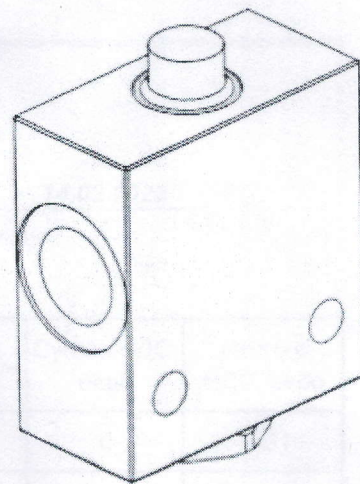
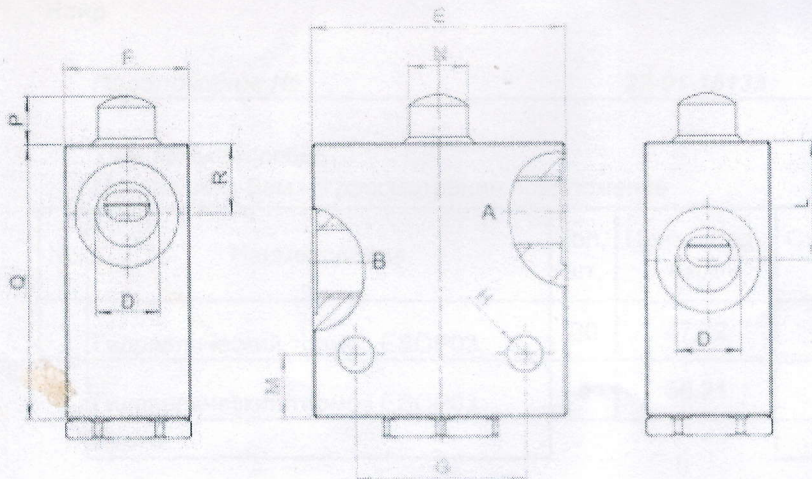
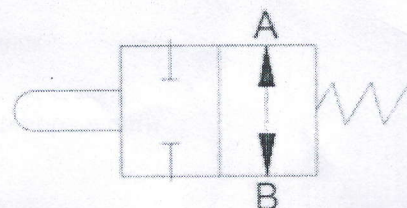


Dimensions



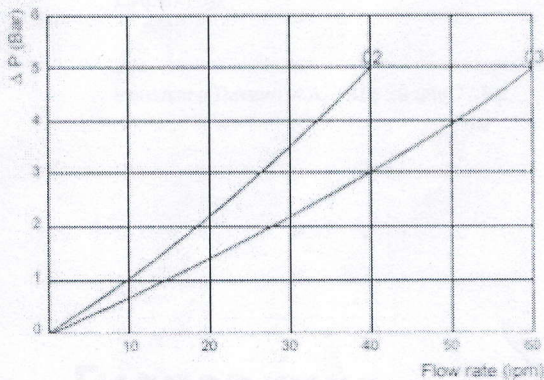
Hydraulic Symbol



| Size | C | D BSP | E | F | G | H | L | M | N | P | Q | R | Weight kg |
|------|-------|----------|----|----|----|-----|----|----|----|------|----|------|--------------|
| 02 | 81,25 | 3/8 | 60 | 30 | 40 | 8,5 | 28 | 15 | 14 | 11,5 | 65 | 16,5 | 0,78 |
| 03 | 81,25 | 1/2 | 60 | 30 | 40 | 8,5 | 37 | 15 | 14 | 11,5 | 65 | 16,5 | 0,81 |

Curves

B ↔ A



Features

| Size | 02 | 03 |
|---------------------|-----|-----|
| Max Pressure (bar) | 350 | 350 |
| Max Flow Rate (lpm) | 30 | 60 |
| Stroke (mm) | 12 | 12 |
| Spring Bias (Nm) | 100 | 100 |

Materials: Zinc plated steel body, hardened steel inner parts.

Ordering Code

ESOP

*Складская
информация - конструкция
02 и 03*

И.И. Родионов

17.02.2022г.

| | Size BSP |
|----|----------|
| 02 | 3/8 |
| 03 | 1/2 |